

BJE Series Octagonal Polycarbonate Junction Boxes

NEC/CEC:
Class 1, Zone 1 and 2
A/Exe II T6
IP66

Applications

- Small terminal/junction box enclosure for various electrical connections in hazardous areas.
- Designed for use in Zone 1 or 2 areas, where flammable gases or vapors are present either continuously or intermittently, such as:
 - Petroleum refineries
 - Chemical refineries
 - Other industrial process facilities
- Ideal for wet or corrosive atmospheres.

Features

- High impact resistant black polycarbonate enclosure.
- Choose from two versions; external or internal hubs.
- BJE1: Supplied with 4 interconnected earth terminals. Maximum capacity per terminal: $1 \times 4 \text{ mm}^2$ ($0.002 \times 0.006 \text{ in}^2$).
- BJE1 is supplied with 4 connection terminals. Maximum capacity per terminal: $4 \times 2.5 \text{ mm}^2$ ($0.006 \times 0.004 \text{ in}^2$) or $2 \times 4 \text{ mm}^2$ ($0.003 \times 0.006 \text{ in}^2$) + $2 \times 2.5 \text{ mm}^2$ ($0.003 \times 0.004 \text{ in}^2$). Minimum capacity per terminal: $2 \times 1.5 \text{ mm}^2$ ($0.003 \times 0.002 \text{ in}^2$). Available in three depths, 200 mm (7.87"), 250 mm (9.84") and 300 mm (11.81").
- BJE2: Supplied with 4 interconnected earth terminals. Maximum capacity per terminal: $1 \times 10 \text{ mm}^2$ ($0.002 \times 0.016 \text{ in}^2$).
- BJE2 is supplied with 4 connection terminals. Maximum capacity per terminal: $4 \times 6 \text{ mm}^2$ ($0.006 \times 0.009 \text{ in}^2$) or $3 \times 10 \text{ mm}^2$ ($0.005 \times 0.016 \text{ in}^2$) + 4 mm^2 (0.006 in^2).
- BJE2 has telescopic cover retaining ring which can be unclipped.
- All hardware 316 Stainless Steel.
- Available for non-armored or armored cable. Armored cable version supplied with ground continuity plate.
- Several entry options available.
- Operating temperature:
 - BJE1: $-50 \text{ }^\circ\text{C}$ to $+55 \text{ }^\circ\text{C}$ ($-58 \text{ }^\circ\text{C}$ to $+131 \text{ }^\circ\text{F}$)
 - BJE2: $-40 \text{ }^\circ\text{C}$ to $+55 \text{ }^\circ\text{C}$ ($-40 \text{ }^\circ\text{C}$ to $+131 \text{ }^\circ\text{F}$)
- Poured in place polyurethane door gasket.

Standard Materials

- Enclosure: static and impact resistant polycarbonate
- Hardware: 316L stainless steel

NEC/CEC Certifications and Compliances

- UL Standard: 886
- cCSAus Certified: 013017
- CSA Standard: C22.2 No. 25, C22.2 No. 30

BJE1



BJE2



BJE1 for Armored Cable





BJE2 for Armored Cable




BJE Series Octagonal Polycarbonate Junction Boxes

NEC/CEC:
Class 1, Zone 1 and 2
A/Exe II T6
IP66

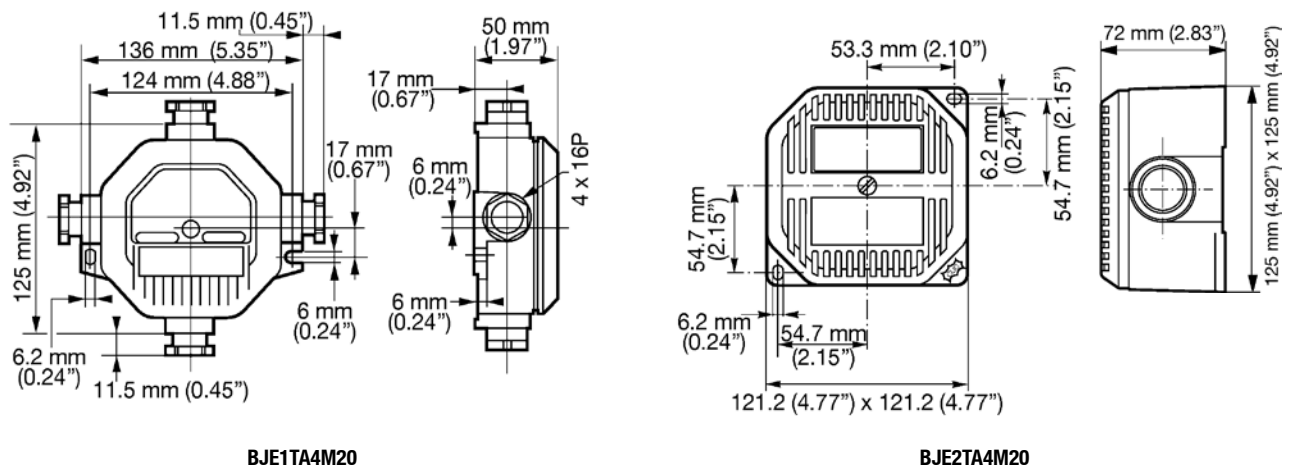
Armored Enclosures — Supplied with Two Plugs

	Entry	Entries	Size	Plug	Weight kg (lb)	Volume mm ³ (in ³)	Catalog Number
	No	4	PG16	Knockouts	0.4 (0.88)	2.0 (122.04)	BJE1TN4P16
	Yes	4	M20	2-M20	0.5 (1.10)	2.0 (122.04)	BJE1TA4M20
	No	3	M20	No	0.6 (1.32)	4.5 (274.60)	BJE2TN3M20
	No	4	M20	No	0.6 (1.32)	4.5 (274.60)	BJE2TN4M20
	No	3	M25	No	0.6 (1.32)	4.5 (274.60)	BJE2TN3M25
	No	4	M25	No	0.6 (1.32)	4.5 (274.60)	BJE2TN4M25
	Yes	4	M20	2-M20	0.6 (1.32)	4.5 (274.60)	BJE2TA4M20
	Yes	4	M25	2-M25	0.6 (1.32)	4.5 (274.60)	BJE2TA4M25

Nickel Plated Adapters

Description	Catalog Number
 M20 to 1/2" NPT adapter for armored box	737EM2T15
M20 to 3/4" NPT adapter for armored box	737EM2T25
M25 to 3/4" NPT adapter for armored box	737EM3T25
M25 to 1" NPT adapter for armored box	737EM3T35

Dimensions in Millimeters (inches)



ENCLOSURES AND JUNCTION BOXES: NEC/CEC WEATHERPROOF/DUSTPROOF JUNCTION AND OUTLET BOXES

